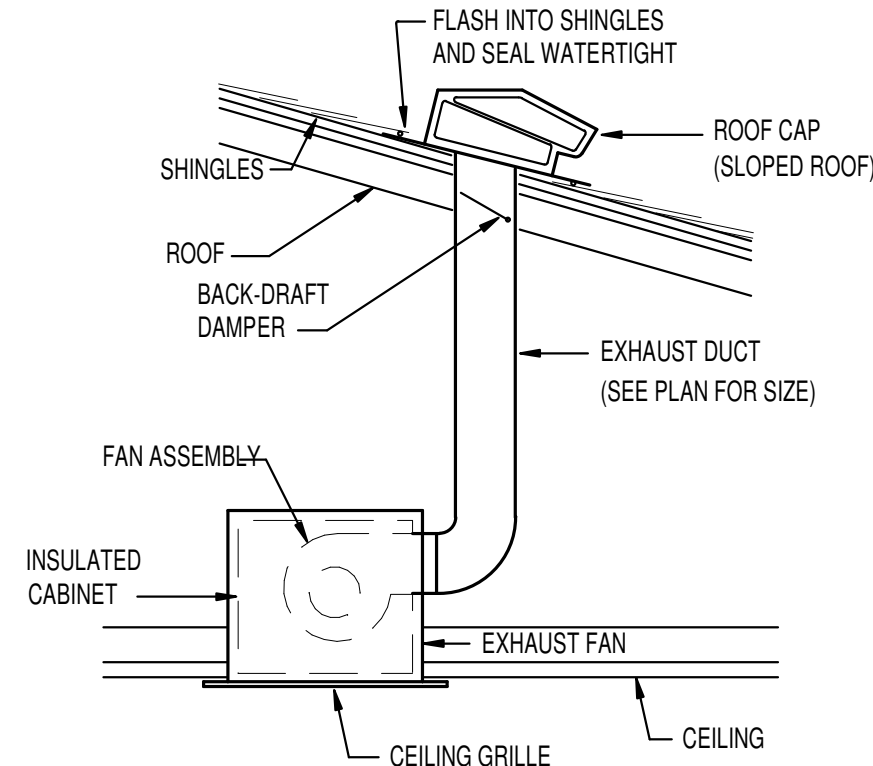
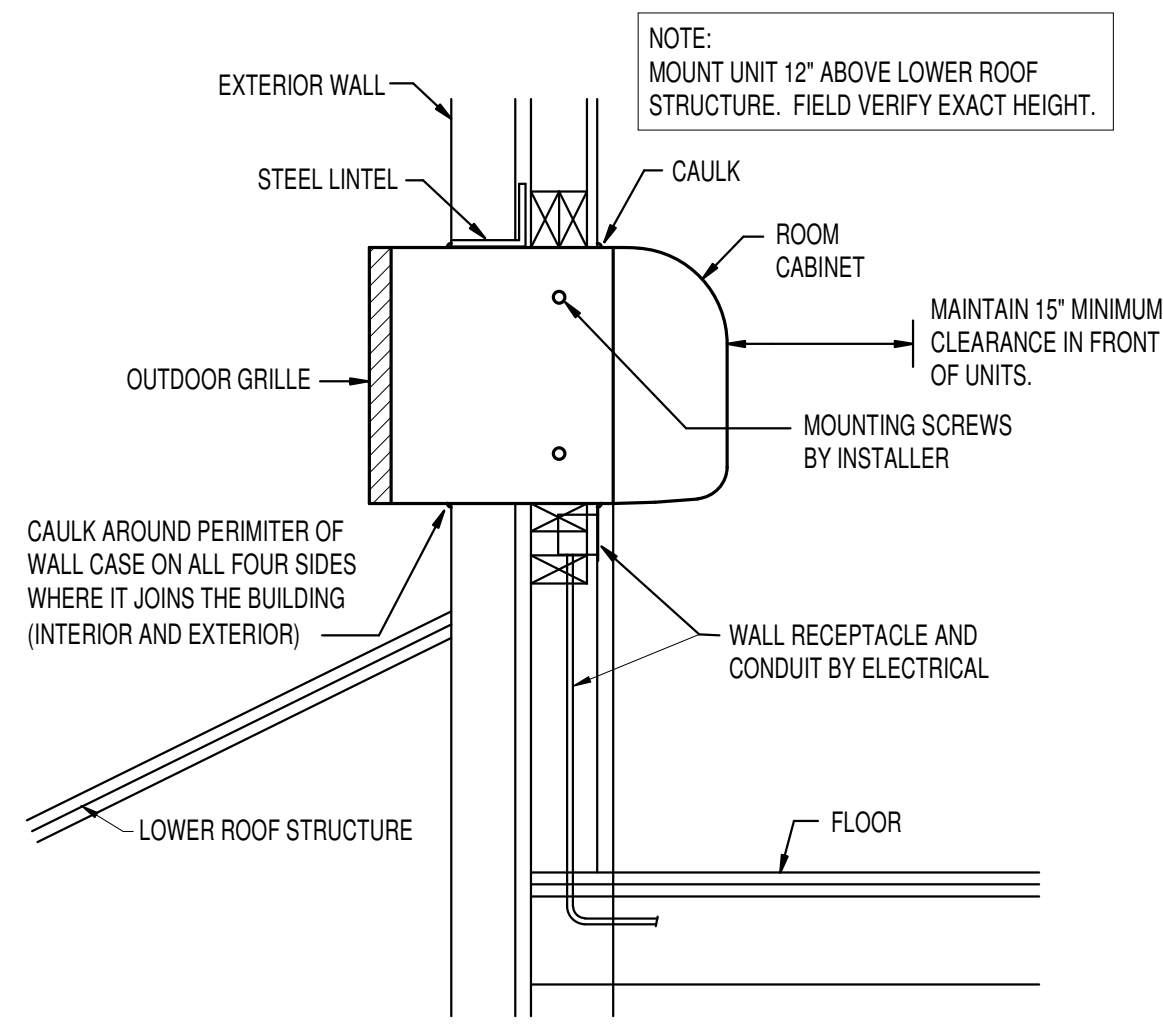


INLINE EXHAUST FAN DETAIL
NO SCALE



CEILING MOUNTED EXHAUST FAN DETAIL
NO SCALE



THRU-THE-WALL HEAT PUMP UNIT DETAIL
NO SCALE

EXHAUST FAN SCHEDULE									
SYM.	TYPE	C.F.M.	S.P.E.	WATTS	CHAR.	R.P.M.	CONTROL	REMARKS	
EF-1	CEILING MOUNTED	225	.25"	166	120/60/1	740	OCC. SENSOR SEE ELEC.	TWIN CITY MODEL T250 WITH 8" Dia. DUCT TO SLOPED ROOF CAP ON SHINGLED ROOF	
EF-2	IN-LINE	150	.25"	100	120/60/1	640	WALL SWITCH	TWIN CITY MODEL T150L WITH 6x6" DUCT TO WALL MOUNTED EXHAUST LOUVER EL-1	
EF-3	CEILING MOUNTED	200	.25"	127	120/60/1	740	WALL SWITCH	TWIN CITY MODEL T200 WITH 8" Dia. DUCT TO SLOPED ROOF CAP ON SHINGLED ROOF	
EF-4	CEILING MOUNTED	225	.25"	166	120/60/1	740	OCC. SENSOR SEE ELEC.	TWIN CITY MODEL T250 WITH 8" Dia. DUCT TO SLOPED ROOF CAP ON SHINGLED ROOF	

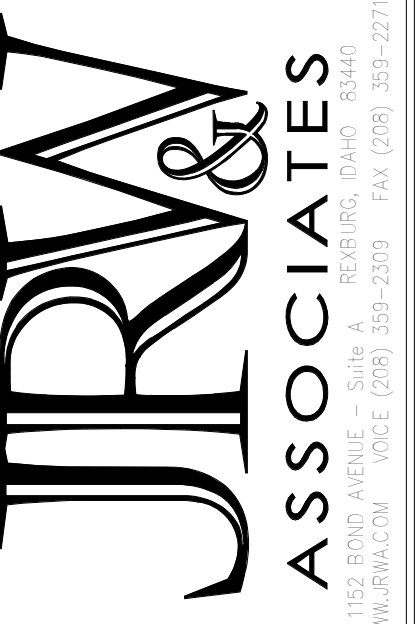
GRILLE AND REGISTER SCHEDULE									
SYM.	TYPE	SIZE	CFM RANGE	THROW PATTERN	CONSTR.	FINISH	BALANCING DAMPER	FIRE DAMPER	REMARKS
EL-1	EXHAUST LOUVER	12x12	150	NA	ALUM.	MATCH BLDG.	NA	NA	AMERICAN WARMING LE-31 WITH INSECT SCREEN
EG-1	EXHAUST GRILLE	6x6	150	NA	STEEL	WHITE	NA	NA	PRICE MODEL 535
TG-1	TRANSFER GRILLE	12x10	200-350	NA	STEEL	WHITE	NA	NA	PRICE MODEL 535 MOUNTED ABOVE DOOR HEADER

ELECTRIC HEATER SCHEDULE						
SYM.	TYPE	BTU	KW	CHAR.	CONTROL	REMARKS
EH-1	CEILING MOUNTED	10,239	3.0	240/60/1	T-STAT	QMARK MODEL CDF542 SURFACE MOUNTED CEILING HEATER WITH T-STAT MOUNTED INSIDE UNIT RETURN AIR PORTION OF UNIT.
EH-2	WALL MOUNTED	5,122	1.5	120/60/1	INTEGRAL	QMARK MODEL GFR1500T2 RECESSED MOUNTED WALL HEATER WITH INTEGRAL T-STAT.
EH-3	WALL MOUNTED	5,122	1.5	120/60/1	INTEGRAL	QMARK MODEL GFR1500T2 RECESSED MOUNTED WALL HEATER WITH INTEGRAL T-STAT.
EH-4	CEILING MOUNTED	6,826	2.0	240/60/1	T-STAT	QMARK MODEL CDF542 SURFACE MOUNTED CEILING HEATER WITH T-STAT MOUNTED INSIDE UNIT RETURN AIR PORTION OF UNIT.
EH-5	CEILING MOUNTED	6,826	2.0	240/60/1	T-STAT	QMARK MODEL CDF542 SURFACE MOUNTED CEILING HEATER WITH T-STAT MOUNTED INSIDE UNIT RETURN AIR PORTION OF UNIT.

HEAT PUMP UNIT SCHEDULE									
SYM.	CFM	CHAR.	AMPS	COP	HEATING		COOLING		REMARKS
					BTU	KW	BTU	EER	
HP-1	340/306	240-1□	6.7	3.6	11,945	3.5	14,500	13.0	TRANE MODEL PTHF1501GAA WITH 3.5 KW ELECTRIC COIL, WALL SLEEVE & OUTDOOR GRILLE
HP-2	340/306	240-1□	6.7	3.6	11,945	3.5	14,500	13.0	TRANE MODEL PTHF1501GAA WITH 3.5 KW ELECTRIC COIL, WALL SLEEVE & OUTDOOR GRILLE

MECHANICAL LEGEND	
SYMBOL	DESCRIPTION
EA	EXHAUST AIR
Ⓢ	REMOTE THERMOSTAT
□	CEILING MOUNTED EXHAUST FAN
①	PLAN NOTE
EH-1	EQUIPMENT SYMBOL

© JRW & ASSOCIATES, PLLC. DRAWINGS AND DESIGNS ARE PROTECTED BY COPYRIGHT AND THE ARCHITECT RETAINS TOTAL OWNERSHIP AND CONTROL. ANY UNAUTHORIZED USE OF DRAWINGS, DESIGNS OR IDEAS WITHOUT WRITTEN CONSENT OF THE ARCHITECT IS PROHIBITED.



Consultants:
STRUCTURAL ENGINEERING
 Frost Structural Engineering
 1020 Lincoln Road
 Idaho Falls, ID 83401
 Tel: (208) 227-8404
 Fax: (208) 227-8405

MECHANICAL ENGINEERING
 Engineered Systems Assoc.
 1335 East Center Street
 Pocatello, Idaho 83204
 Tel: (208) 233-0501
 Fax: (208) 233-0529

ELECTRICAL ENGINEERING
 Payne Engineering INC.
 1832 East Center Street
 Pocatello, Idaho 83201
 Tel: (208) 232-4439
 Fax: (208) 232-1435

Project: **CITY OF REXBURG JR BALL FIELDS CONCESSIONS**

Drawing Title: **MECHANICAL DETAILS & SCHEDULES**

Revisions:	

Drawn By: SR Job Number: 788

Checked By: DCS Date: OCT. 2019

Plot Date: 10/9/2019 9:03:48 AM

OCT. 8, 2019

Engineered Systems Associates
 1335 EAST CENTER
 POCATELLO, IDAHO 83201
 PHONE: (208) 233-0501
 FAX: (208) 233-0529
 EMAIL: esa@engsystems.com
 ESA JOB NUMBER: 19041

Drawing Number: **M201**